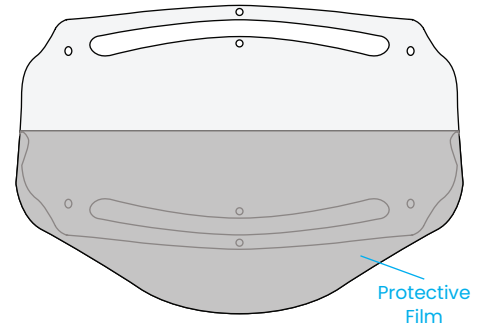
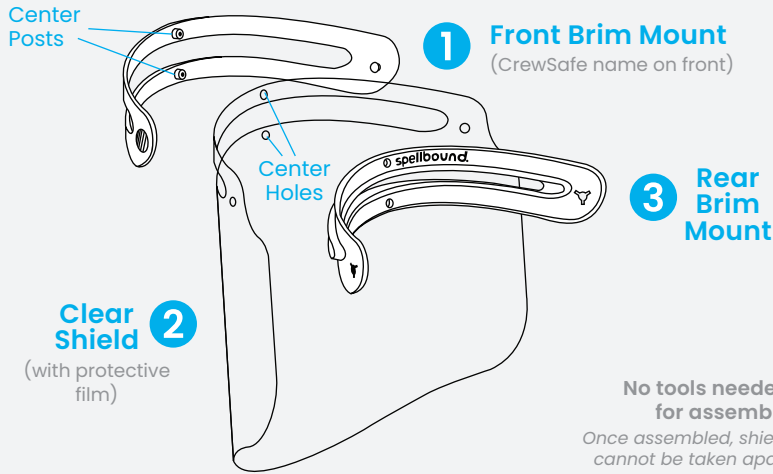


ASSEMBLY INSTRUCTIONS

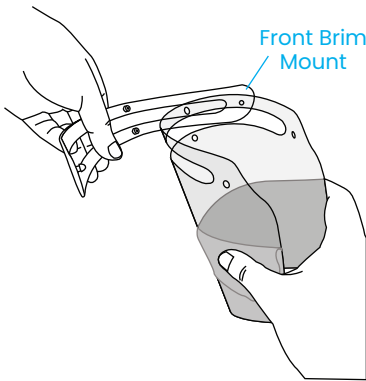
Item #GS1069-03

Your shield will arrive ready to assemble and include three parts



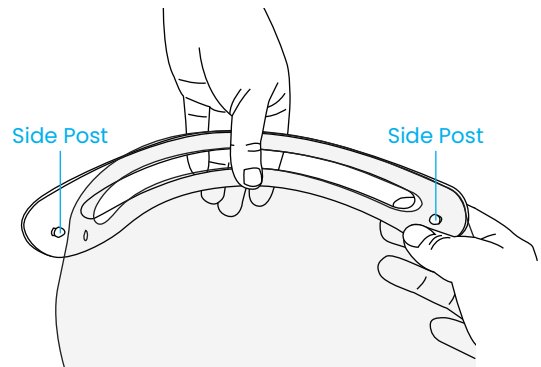
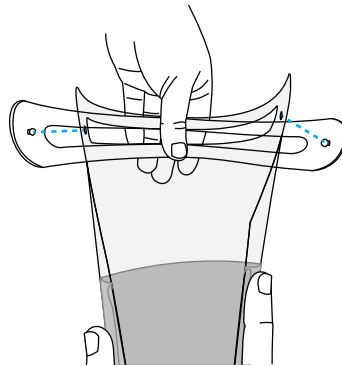
STEP 1

Peel the protective film, starting at the top, halfway down the shield on both sides. This leaves an area to hold the shield and prevent fingerprints or smudges during assembly.



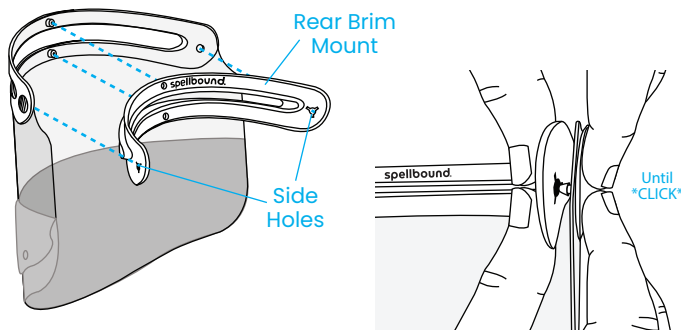
STEP 2

Gently squeeze and curve the shield and align the center holes with the center posts on the front brim mount.



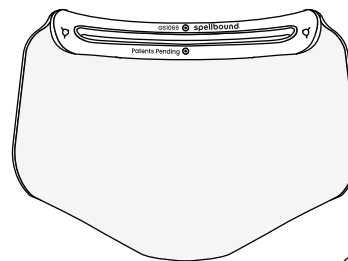
STEP 3

Hold the center of the shield in place and insert the side posts of the front brim mount into the side holes on the shield, one at a time.



STEP 4

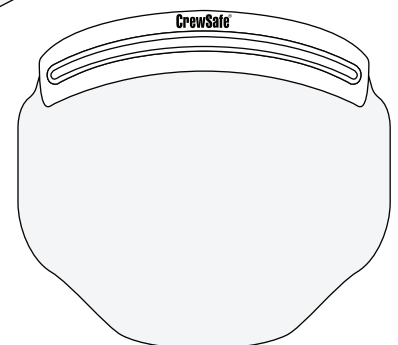
Align the center holes of the rear brim mount over the assembled front panel and shield. Ensure the center holes remain engaged and press the side posts into the side holes of the rear brim mount until you hear a "click", one at a time.



READY TO USE

STEP 5

Remove the film from the bottom half of the shield on both sides. Your shield is now fully assembled and ready for use!



Video available at tuuw.com